

PEWTER

**WE'RE REACHING  
NEW LENGTHS.**

RAVEN

SABLE

**TANDO'S ARCHITECTURAL SILL GOES 30"  
STRAIGHT TO THE POINT. BEAUTIFULLY.**

Three colors. Accurate. Realistic. Ready to install.

**TandoStone**<sup>®</sup>   
#1 Brand of Composite Stone

# TANDO'S ARCHITECTURAL SILL MAKES THE TRANSITION EASY.

Tando's Architectural Sill is a deep profile that is architecturally accurate with a realistic look and feel.

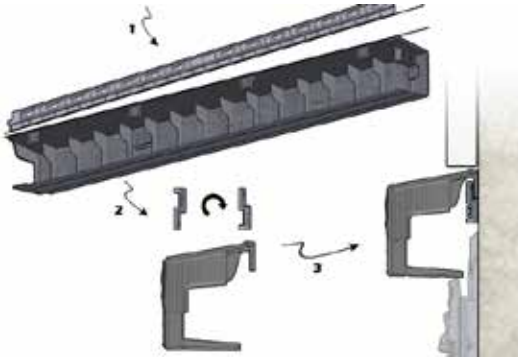
Designed with a slope forward to direct water away from a structure, Tando's Architectural Sill offers superior moisture management while delivering beauty and functionality.

As a complement to the Architectural Sill, Tando has also developed an Architectural Sill Corner that can be used as a corner or can be easily cut on the left side or right side to act as an end cap to terminate a run.

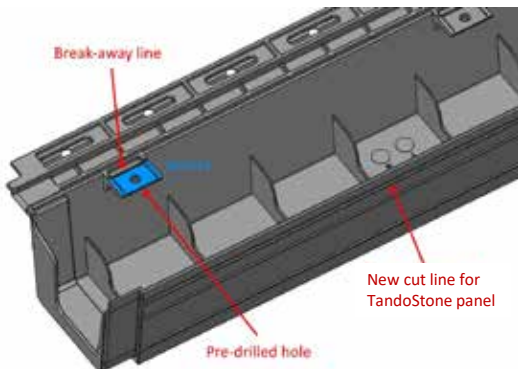
The Architectural Sill offers two other game-changing innovations: an integrated nailing flange that can be repurposed as a starter strip to easily install the Sill under a window and breakaway spacers on the back of the profile that can be used as "shims" to transition products that require additional clearance.

With all of these great features, we've made your transition to Tando Architectural Sill easy.

## Integrated nailing flange



## Breakaway Spacer "Shims"



Scan here to watch a short installation video.



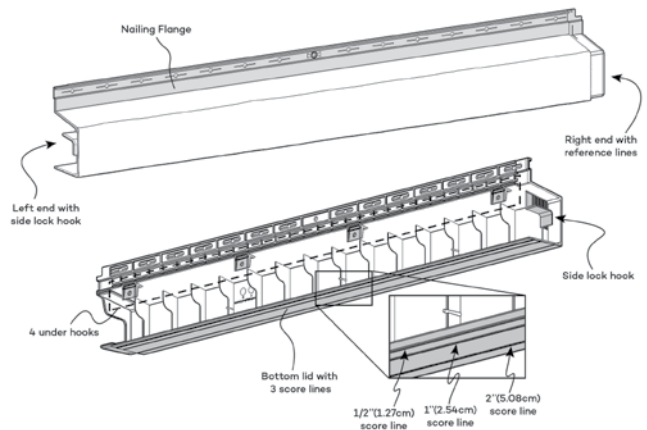
PEWTER - NEW!



RAVEN - NEW!



SABLE - NEW!



## Architectural Sill Specifications

- Finished Exposed Width: 30.13" (76.52 cm)
- Finished Exposed Height: 2.63" (6.67 cm)
- Depth: 2.5" (6.35 cm)
- Architectural Sills per box: 4

## Architectural Sill Corner Specifications

- Finished Exposed Width: 5.0" (12.7 cm)
- Finished Exposed Height: 2.63" (6.67 cm)
- Depth: 2.5" (6.35 cm)
- Arch. Sill Corners per box: 4



844-MY-TANDO (844-698-2636) | tandobp.com  
© 2024 Derby Building Products Inc.