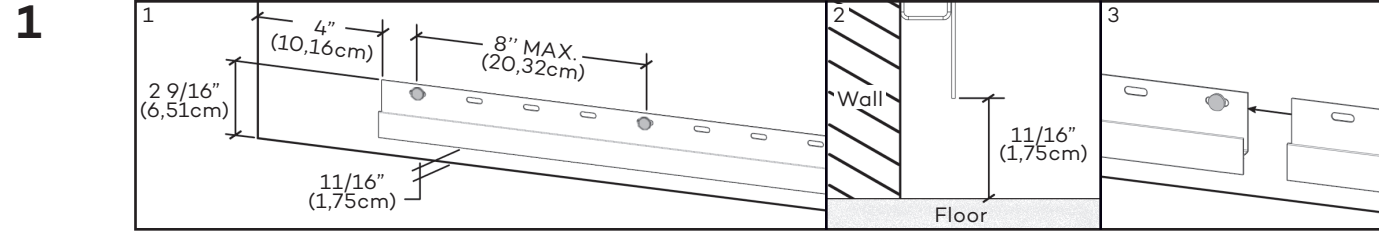


ROUGHSAWN CEDAR DUAL SUMMARY INSTALLATION GUIDE

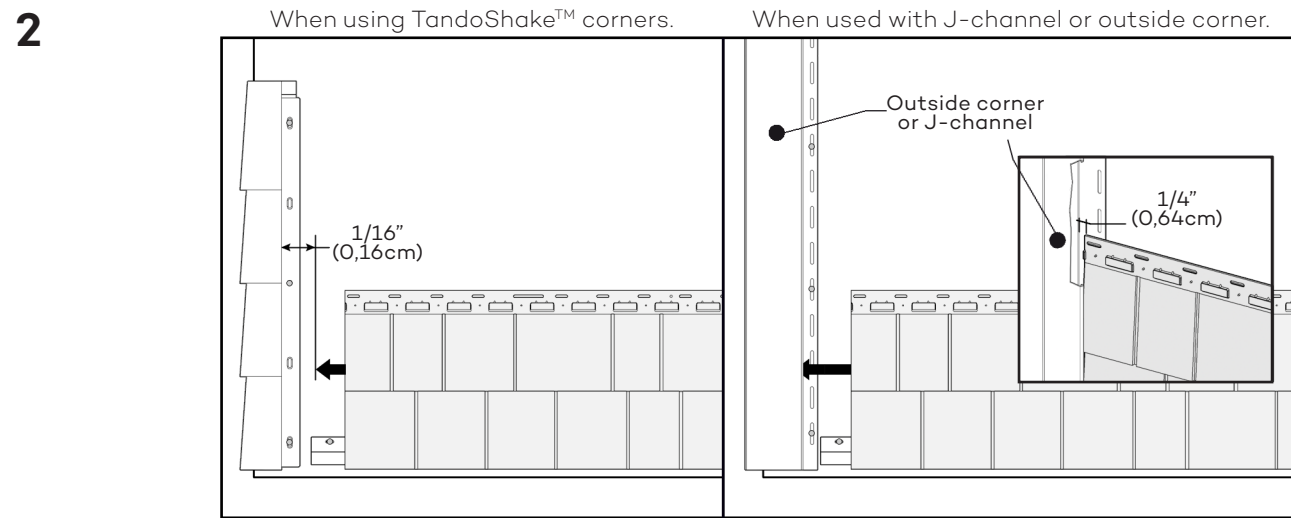


CAUTION: ALWAYS INSTALL PRODUCT FROM LEFT TO RIGHT AND REMEMBER THAT POLYMER UNDERGOES EXPANSION/CONTRACTION DUE TO TEMPERATURE VARIATIONS. FOR A BETTER LOOK WE RECOMMEND TO INSTALL PRODUCT ON FLAT SURFACES (EX: PLYWOOD PANELS OR OSB PANELS). IF SECTIONS ARE INSTALLED ON A WALL WITH FURRINGS, FURRING STRIPS MUST BE INSTALLED OBLIQUELY AND SPACED BY 8"(20,32CM).

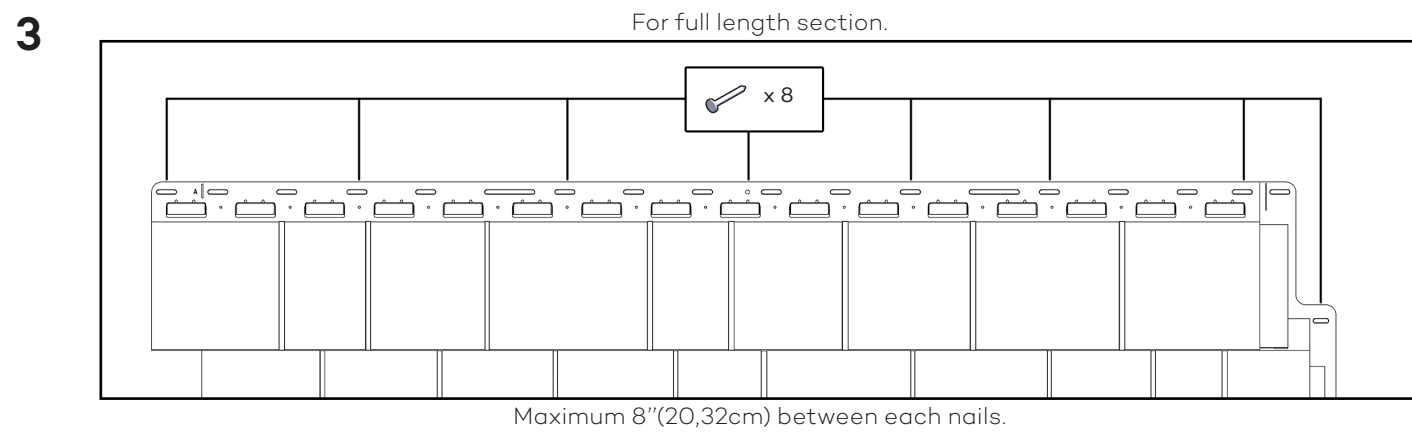
FRANÇAIS
AU VERSO



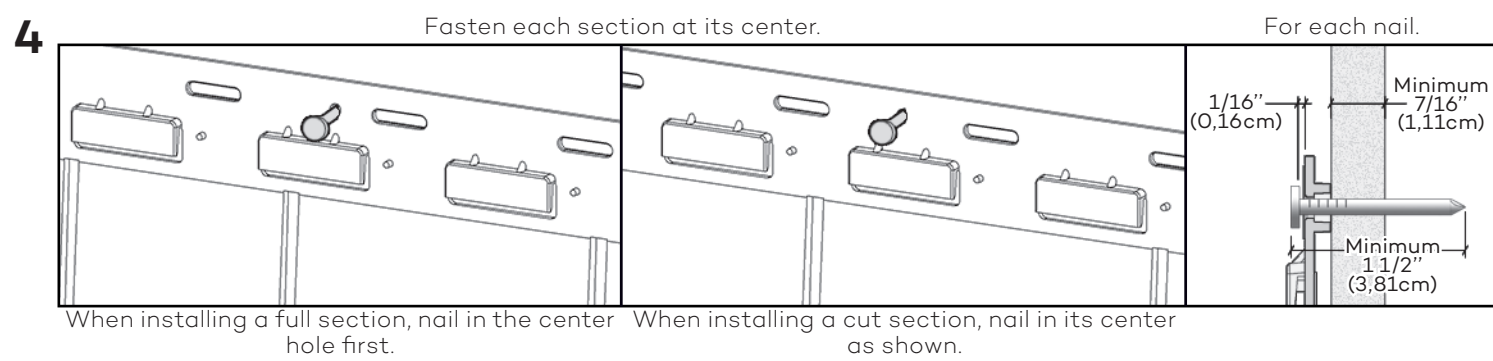
ESPAÑOL



PORTUGUÊS



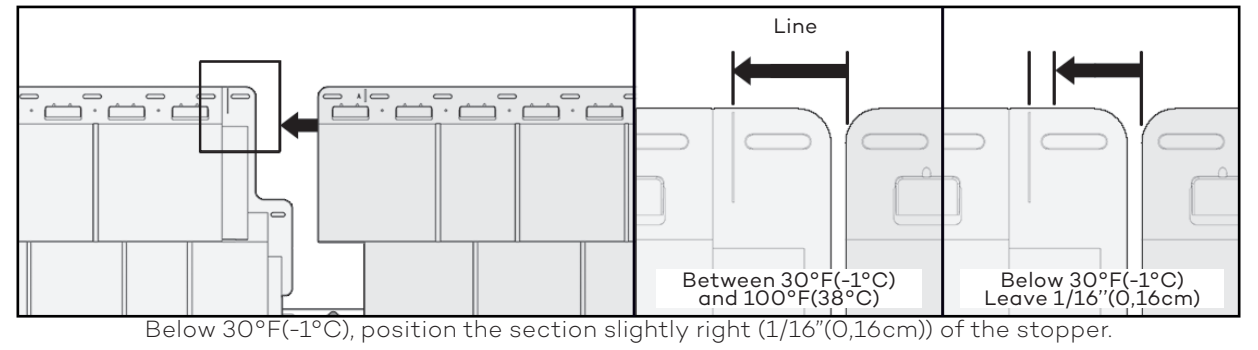
РУССКИЙ



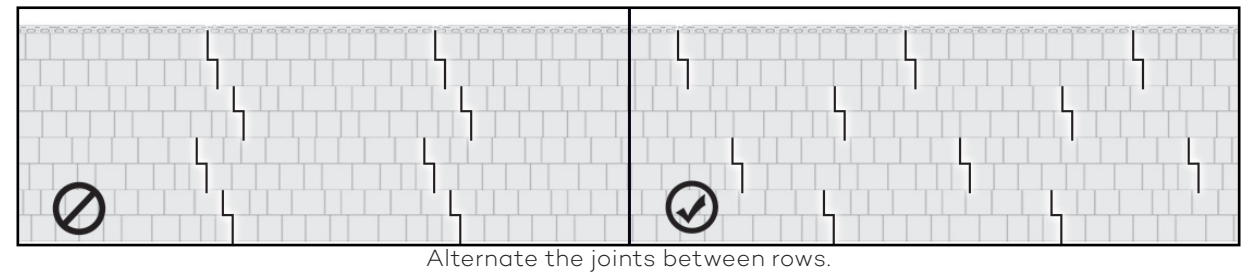
POLSKIE

5

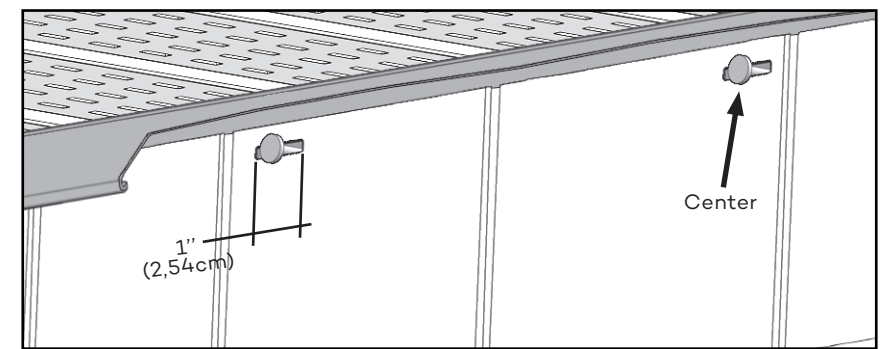
Install sections and space equally. For installation when outside temperature is between 30°F(-1°C) and 100°F(38°C), press against stopper.



6



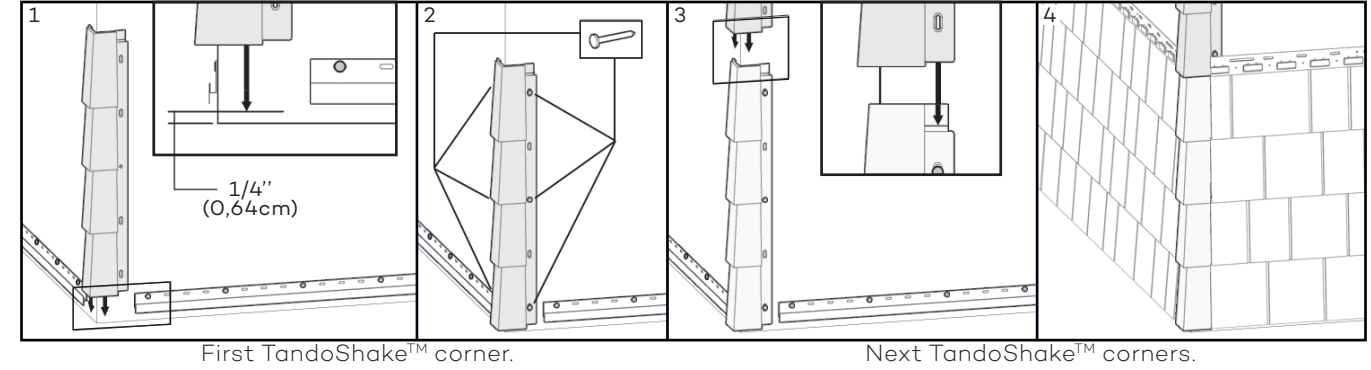
7



If you need to attach the section in an area other than the installation hole, create a 1"(2,54 cm) long slot to allow nailing. Always nail in the middle of the slot.

8

CORNER INSTALLATION



See TANDOSHAKE.COM for the complete installation guide.

