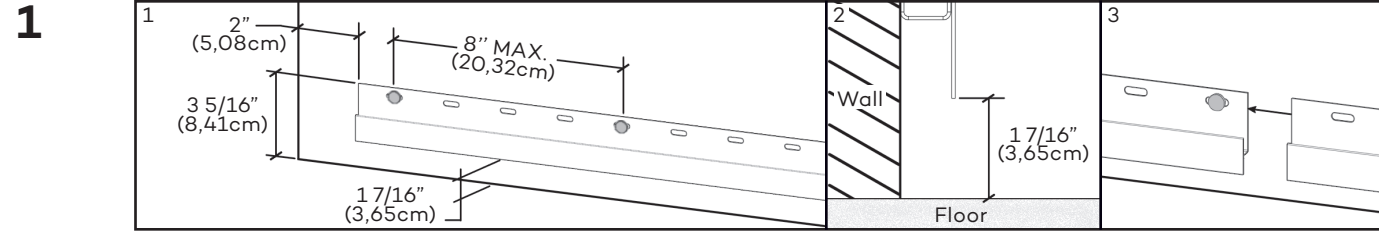


RUSTIC CEDAR 9 SUMMARY INSTALLATION GUIDE

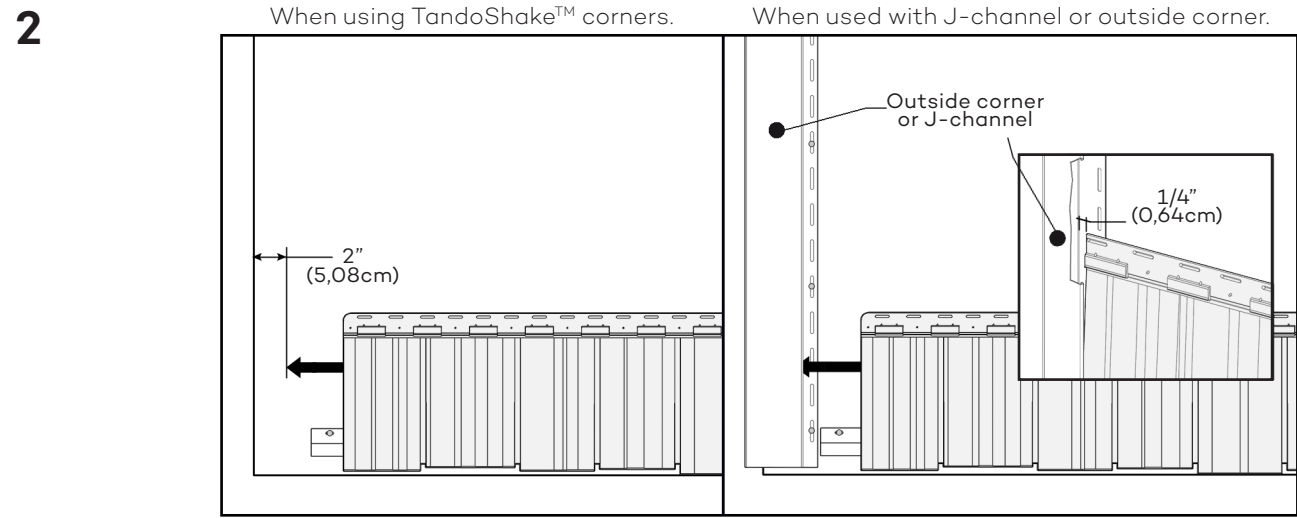


CAUTION: ALWAYS INSTALL PRODUCT FROM LEFT TO RIGHT AND REMEMBER THAT POLYMER UNDERGOES EXPANSION/CONTRACTION DUE TO TEMPERATURE VARIATIONS. FOR A BETTER LOOK WE RECOMMEND TO INSTALL PRODUCT ON FLAT SURFACES (EX: PLYWOOD PANELS OR OSB PANELS). IF SECTIONS ARE INSTALLED ON A WALL WITH FURRINGS, FURRING STRIPS MUST BE INSTALLED OBLIQUELY AND SPACED BY 8"(20,32CM).

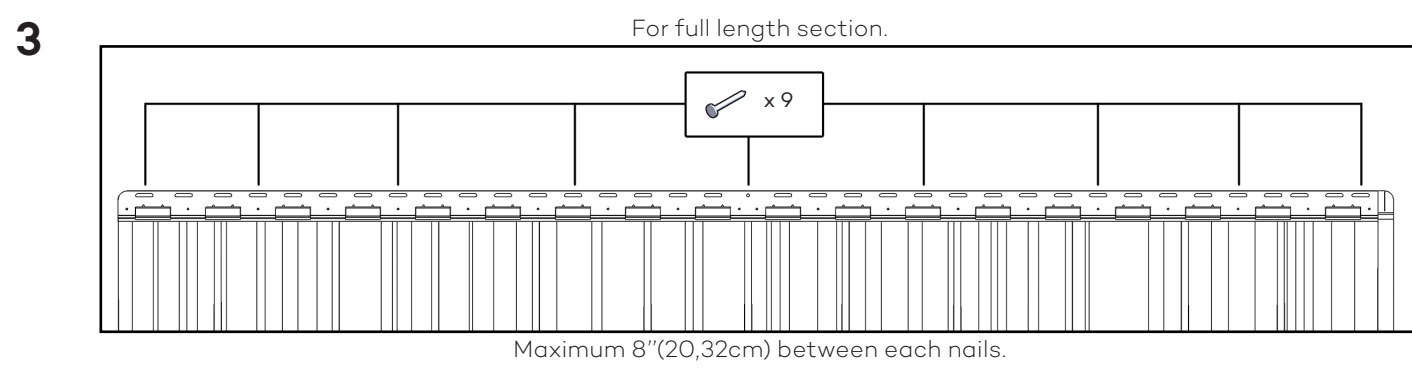
FRANÇAIS
AU VERSO



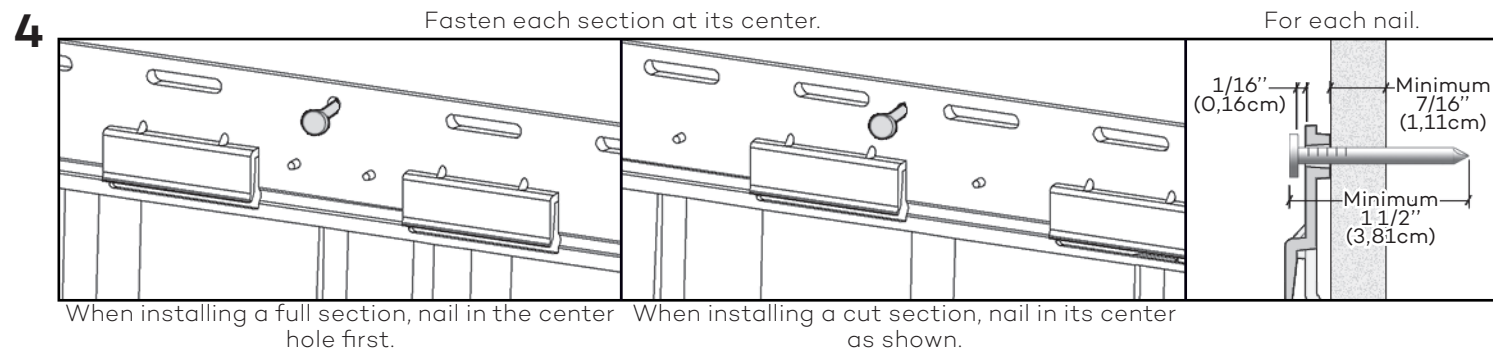
ESPAÑOL



PORTUGUÊS



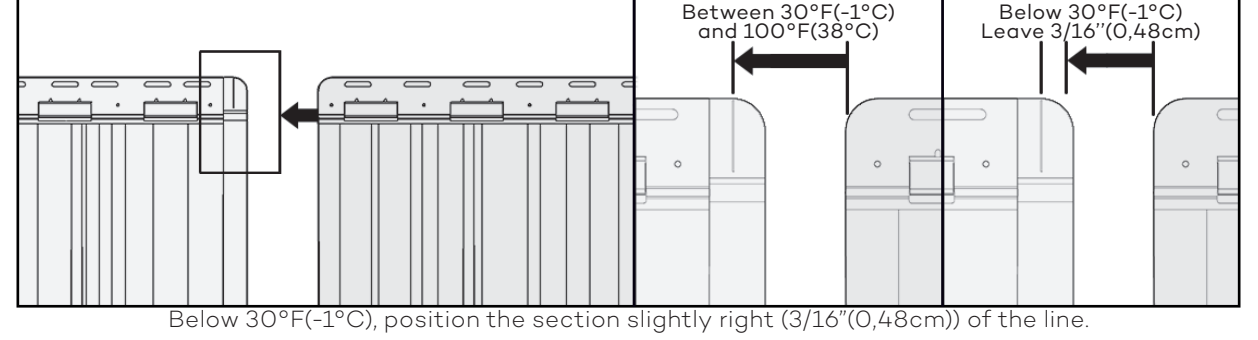
РУССКИЙ



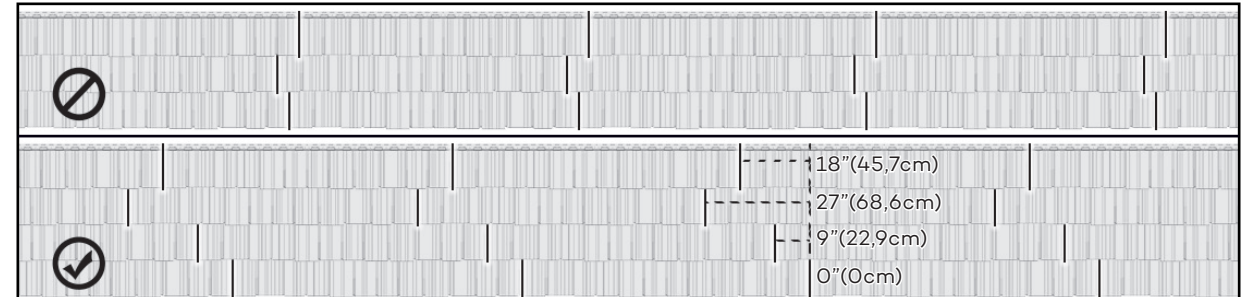
POLSKIE

5

Install sections and space equally. For installation when outside temperature is between 30°F(-1°C) and 100°F(38°C), stop at the line.

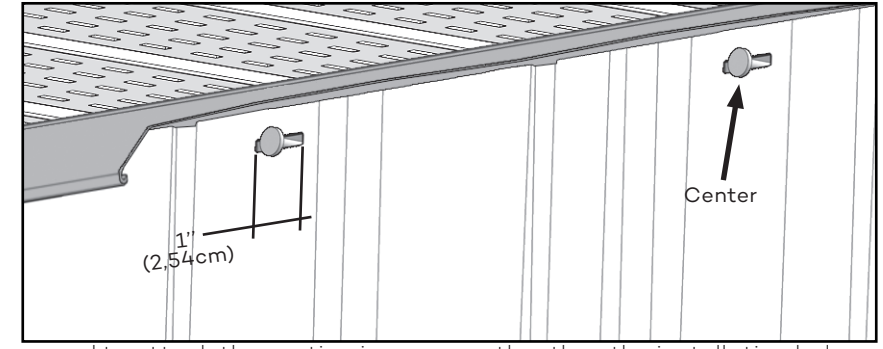


6



Alternate the joints between rows. For a nicer look, we suggest to vary the cutting distance of the first section of every row from 0"(0cm) - 9"(22,9cm) - 18"(45,7cm) - 27"(68,6cm).

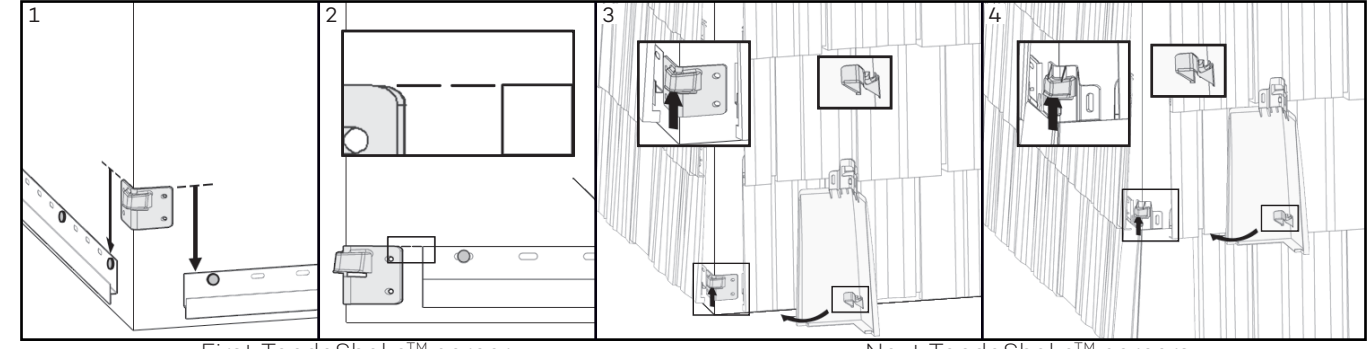
7



If you need to attach the section in an area other than the installation hole, create a 1"(2,54 cm) long slot to allow nailing. Always nail in the middle of the slot.

8

CORNER INSTALLATION



First TandoShake™ corner. Next TandoShake™ corners.

See TANDOSHAKE.COM for the complete installation guide.

