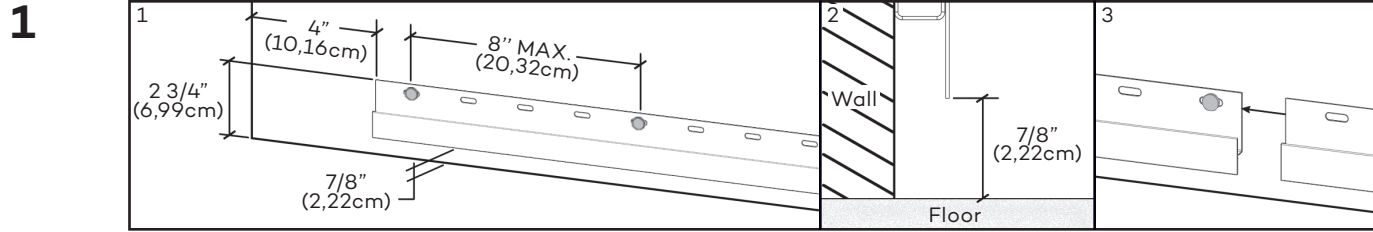


ROUGHSAWN CEDAR SINGLE SUMMARY INSTALLATION GUIDE

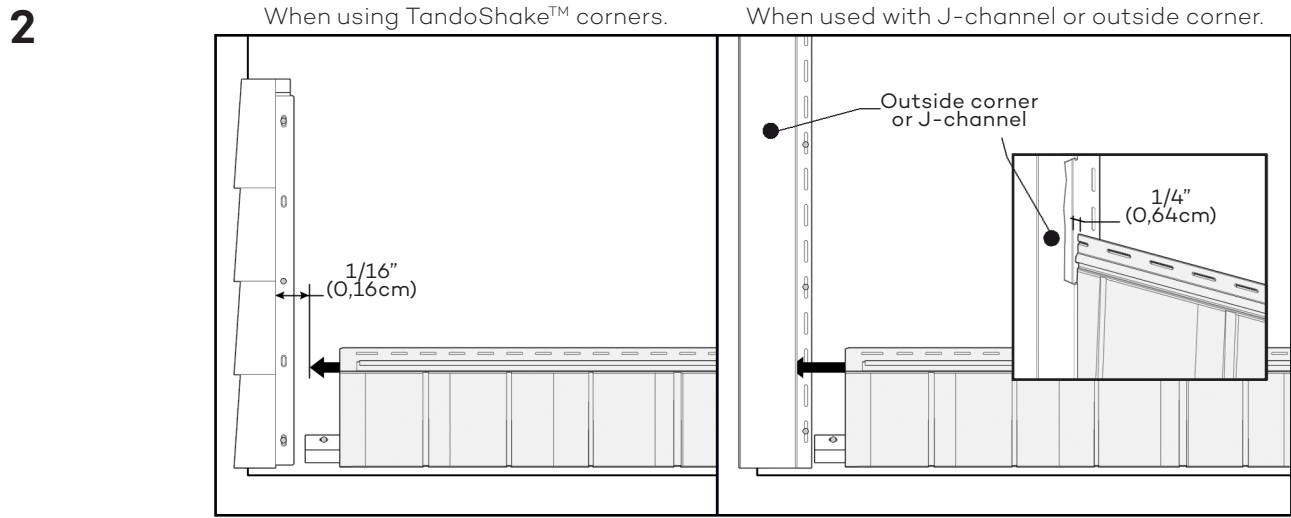


CAUTION: ALWAYS INSTALL PRODUCT FROM LEFT TO RIGHT AND REMEMBER THAT POLYMER UNDERGOES EXPANSION/CONTRACTION DUE TO TEMPERATURE VARIATIONS. FOR A BETTER LOOK WE RECOMMEND TO INSTALL PRODUCT ON FLAT SURFACES (EX: PLYWOOD PANELS OR OSB PANELS). IF SECTIONS ARE INSTALLED ON A WALL WITH FURRINGS, FURRING STRIPS MUST BE INSTALLED OBLIQUELY AND SPACED BY 8"(20,32CM).

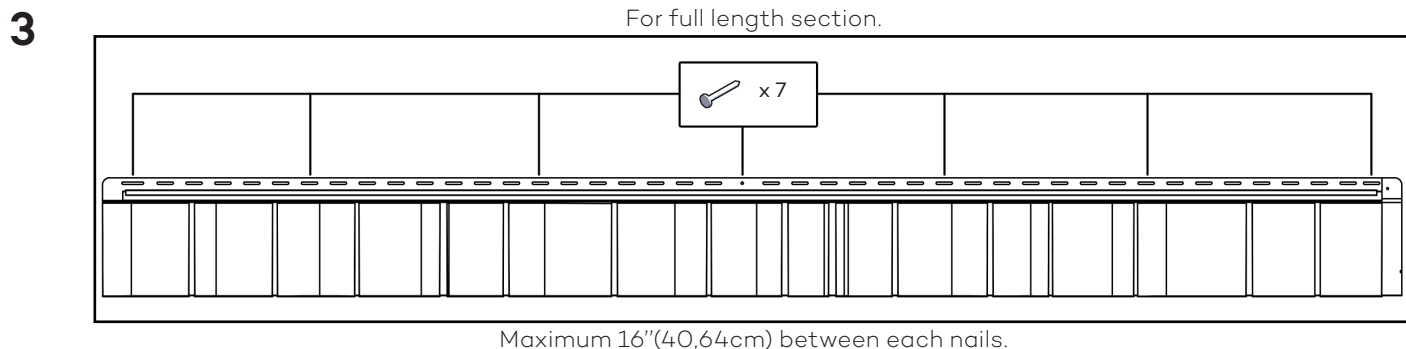
FRANÇAIS
AU VERSO



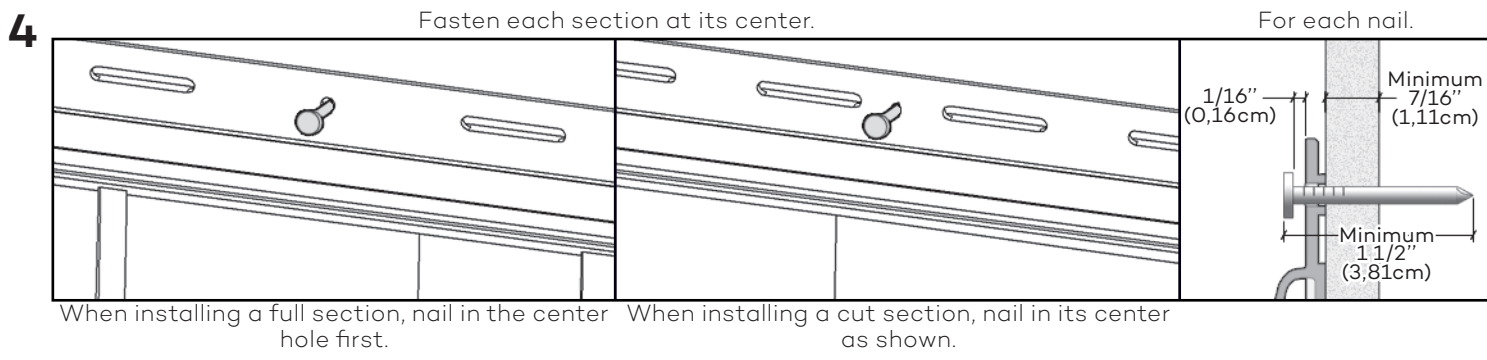
ESPAÑOL



PORTUGUÊS

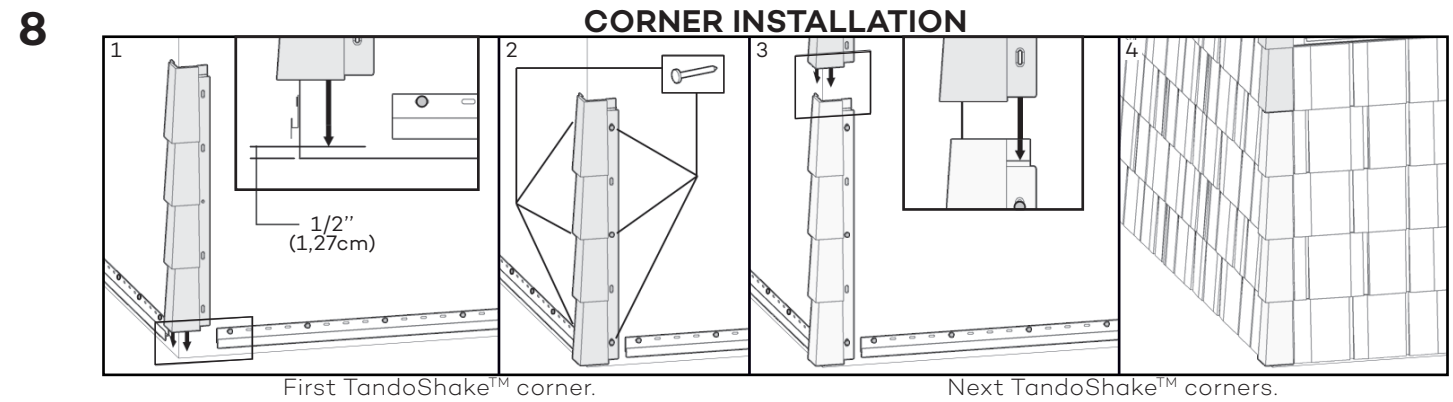
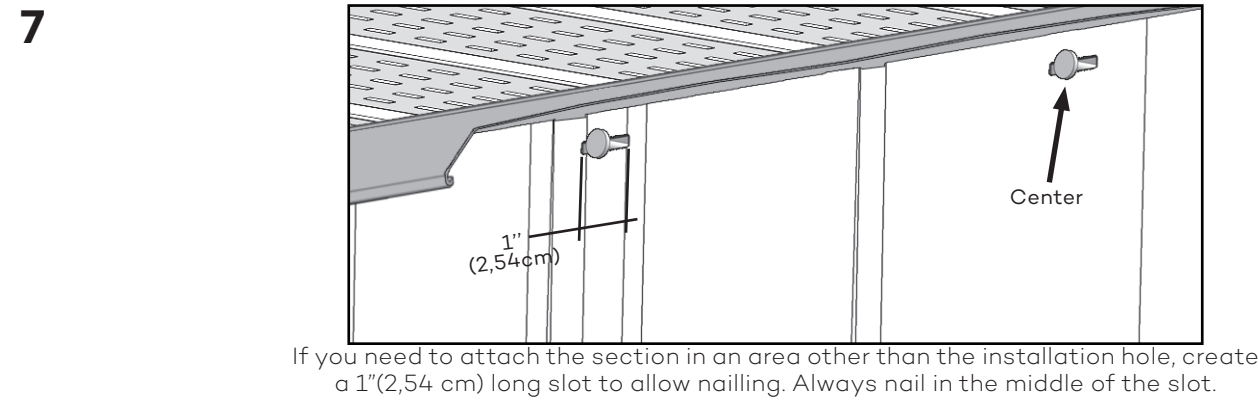
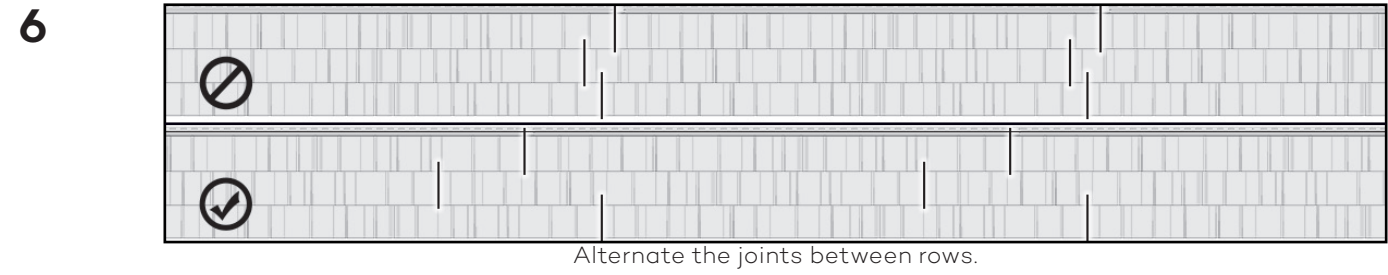
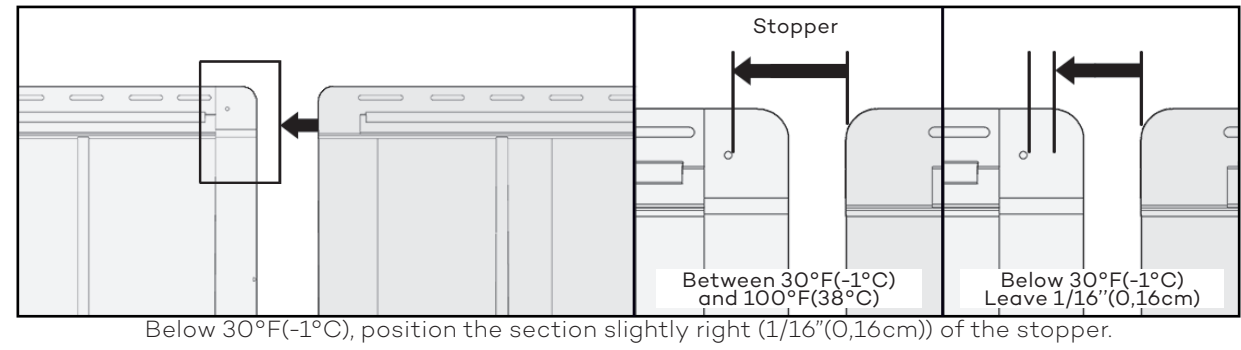


РУССКИЙ



POLSKIE

5 Install sections and space equally. For installation when outside temperature is between 30°F(-1°C) and 100°F(38°C), press against stopper.



See TANDOSHAKE.COM for the complete installation guide.

