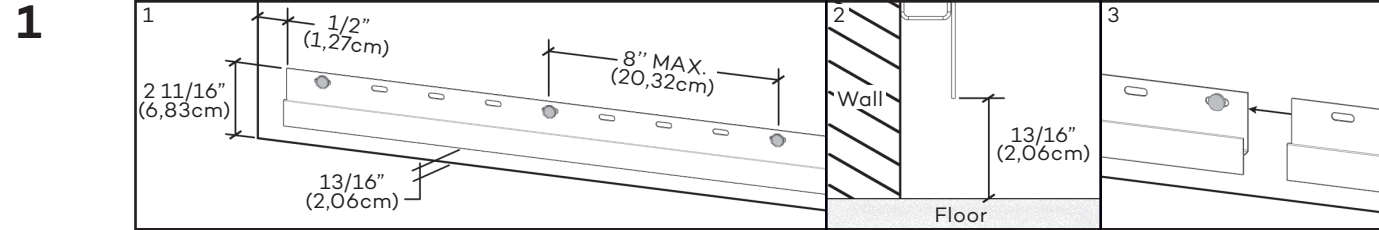
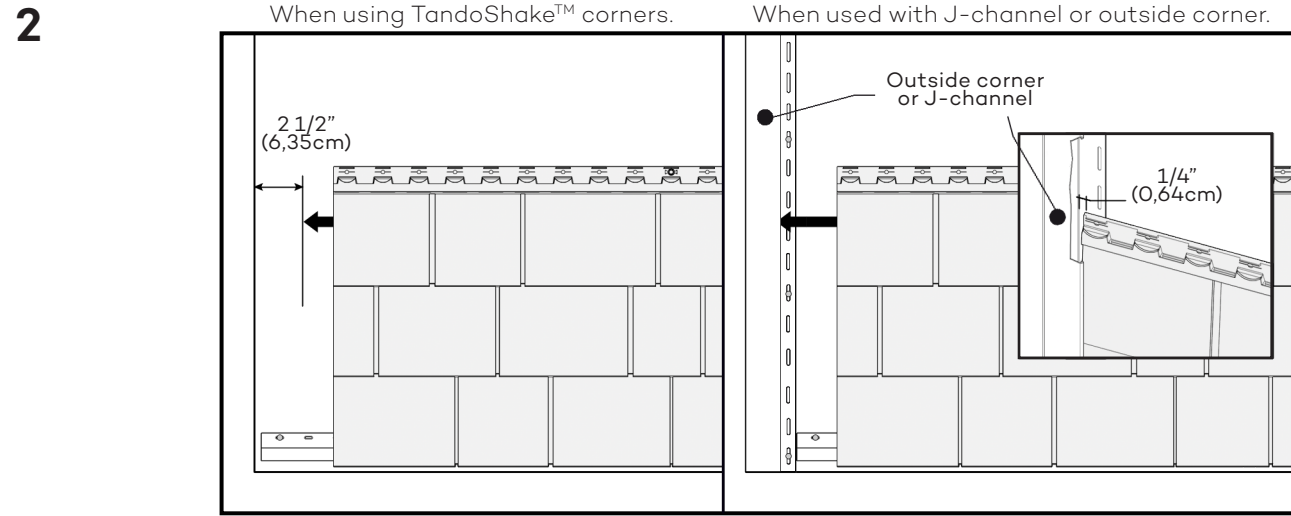


CAUTION: ALWAYS INSTALL PRODUCT FROM LEFT TO RIGHT AND REMEMBER THAT POLYMER UNDERGOES EXPANSION/CONTRACTION DUE TO TEMPERATURE VARIATIONS. FOR A BETTER LOOK WE RECOMMEND TO INSTALL PRODUCT ON FLAT SURFACES (EX: PLYWOOD PANELS OR OSB PANELS). IF SECTIONS ARE INSTALLED ON A WALL WITH FURRINGS, FURRING STRIPS MUST BE INSTALLED OBLIQUELY AND SPACED BY 8"(20,32CM).

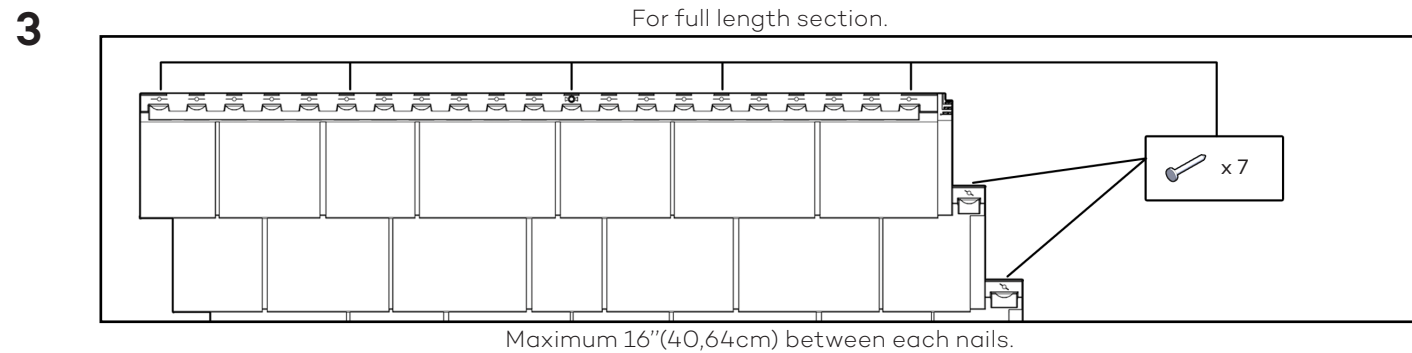
FRANÇAIS
AU VERSO



ESPAÑOL



PORTUGUÊS



РУССКИЙ



POLSKIE

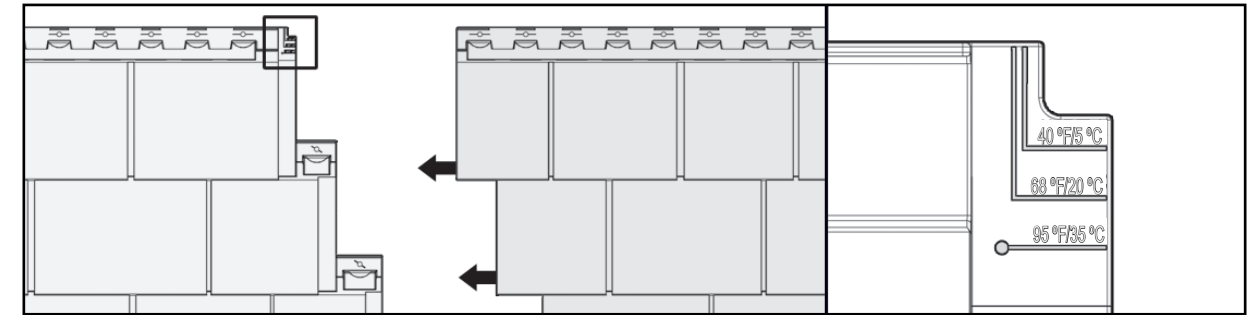
When installing a full section, nail in the center hole first. When installing a cut section, nail in its center. For each nail, leave a gap between nail head and section. When using a roofing nailer, adjust its tip at the highest position and the air pressure according to the substrate in order to leave the required gap.

* Roofing nailer as Bostitch RN46 and Hitachi NV45.

Note: For use in Miami-Dade and Florida High Velocity Hurricane Zones, please refer to installation instructions on Miami-Dade Approved Product Listing, available on our Tando website Resources page.

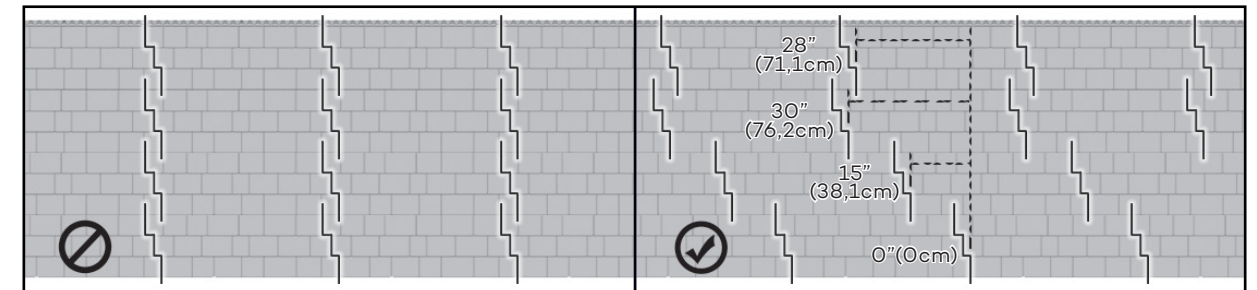
5

Install sections and space equally. Refer to temperature marks that show the outside temperature the closest to that during installation.



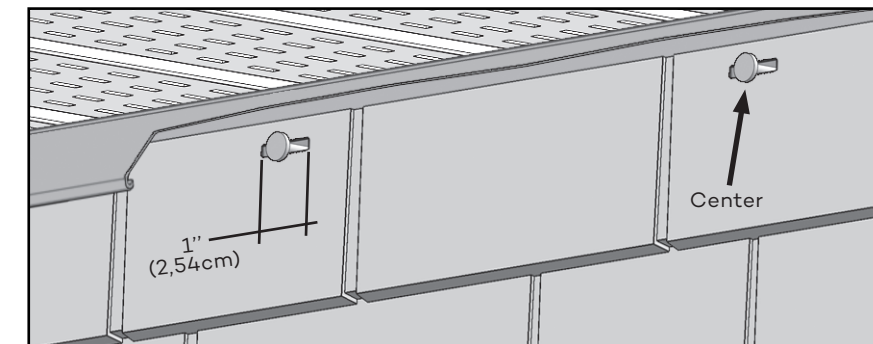
Below 40°F (5°C), position the section slightly right (1/16" (0,16cm)) of the 40°F (5°C) temperature line.

6



Alternate the joints between rows. For a nicer look, we suggest alternating the cutting distance of the first section of every row from 0" (0cm) - 15" (38,1cm) - 30" (76,2cm) - 28" (71,1cm).

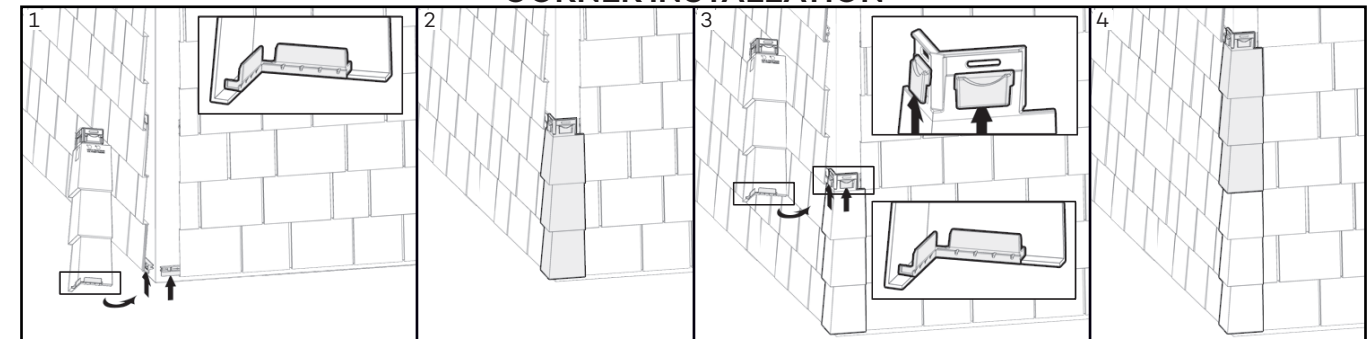
7



If you need to attach the section in an area other than the installation hole, create a 1" (2,54 cm) long slot to allow nailing. Always nail in the middle of the slot.

8

CORNER INSTALLATION



First TandoShake™ corner

Next TandoShake™ corners

See www.tandobp.com for the complete installation guide.

